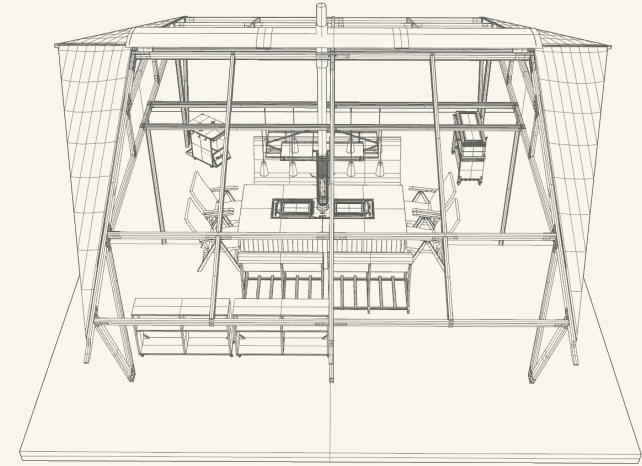
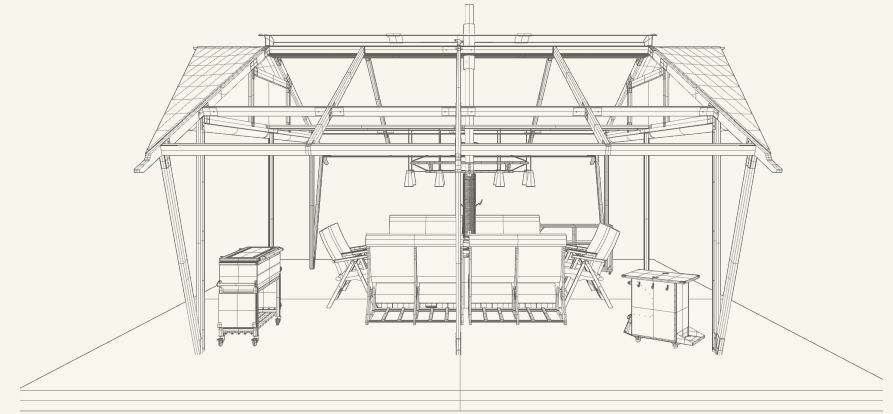


END



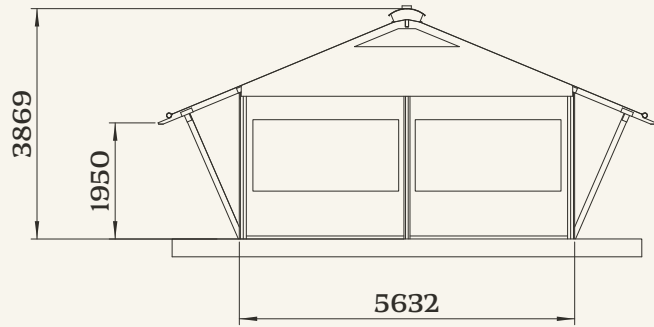
TOP



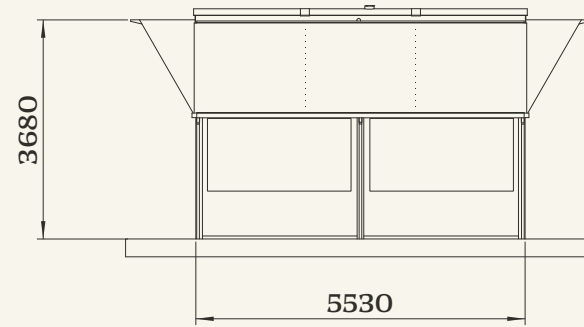
SIDE

**SINGLE WILD KITCHEN**  
***SPECIFICATIONS***

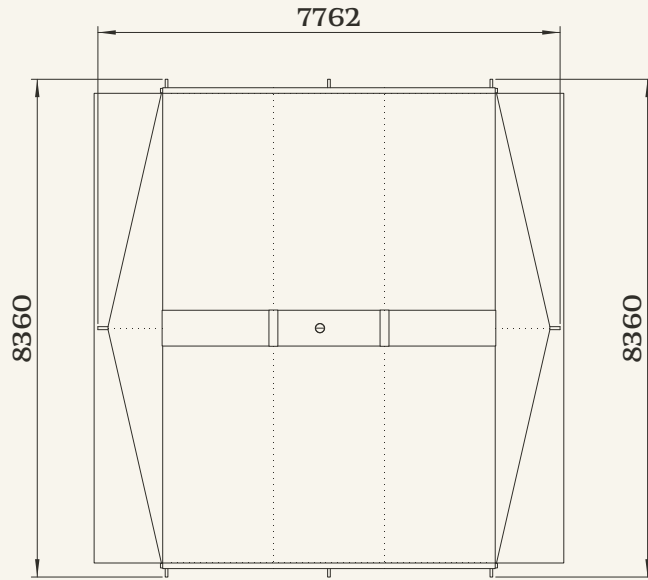
THE **CASHMERE**  
**CAVEMAN** CO.



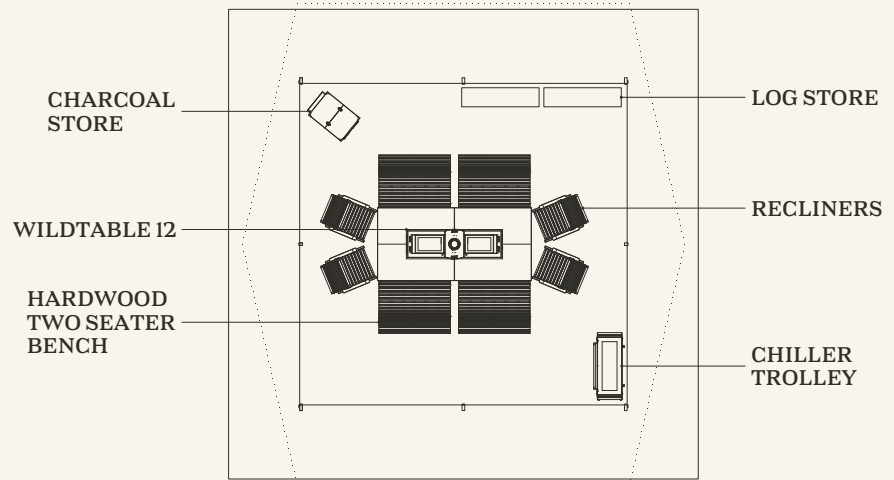
**END**



**SIDE**



**ROOF**



**PLAN**

**SINGLE WILD KITCHEN  
SPECIFICATIONS**